

WFEP917DSD



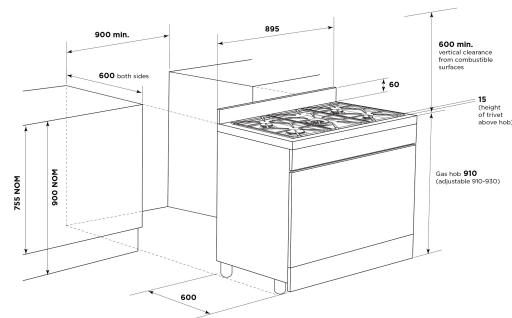
90cm dark stainless steel pyrolytic dual fuel freestanding cooker with a 5 burner gas cooktop, electric multi-function 10 Twin Fan oven with EasyBake +Steam, AirFry, Steam Assist Clean, high powered, intense 19 MJ/h wok burner with dual valve control, 1 set telescopic runners, programmable timer and 125L gross capacity.

Features

- EasyBake +Steam
- AirFry
- PyroClean
- SteamAssist Clean
- High powered, intense 19 MJ/h wok burner
- Dual Valve Control
- Twin Fan System
- Telescopic runners
- Digital Programmable timer
- Fast Heat Up
- Cast iron trivets



WFE915SD,
WFE916DSD,
WFEP917DSD



Product Dimension

Total height (mm) - 910, Total width (mm)
- 895, Total depth (mm) - 600

IMPORTANT
These dimensions are a guide only. All measurements are in millimetres (mm).
For complete installation instructions, refer to the manual provided with product.